



Situational Awareness of Remote Workers

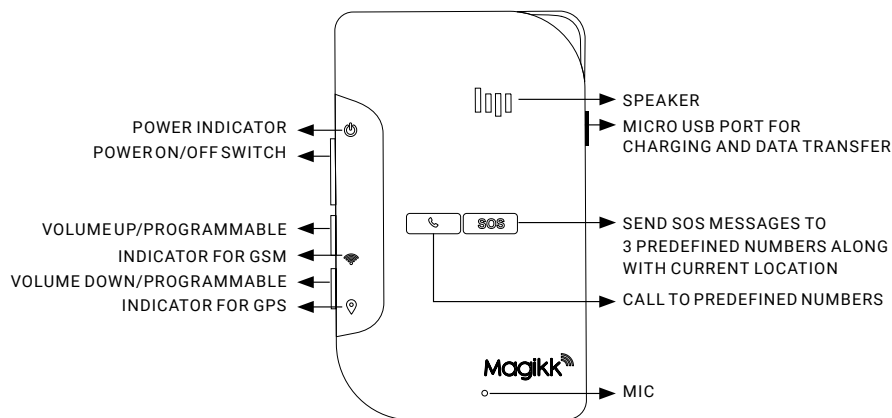
Magikk is a small, wearable, IoT-enabled locating, communicating, and security solution for workers and employees involved in lone-worker scenarios, hazardous workplaces, and in the general field workforce. An industrial IoT wearable device that connects your workers, Magikk comes loaded with multiple sensors and voice alerts for industrial usage. Combining sensor data with satellite positioning, it ensures that every step of the worker is in full visibility of the Command and Control Center and the Safety Officers.

Magikk seamlessly connects with enterprise EHS compliance systems, with complete reporting of any violations and mitigation responses. Magikk Mobile App and cloud is available for visualization, control, and monitoring on-the-go with alarms for any violation in the no-entry or hazardous zones. The Magikk IoT device has built-in industrial and workforce safety for immediate detection and communication of emergency events, including sensor-based possible violations. Built-in sensors of Magikk immediately detect any staff immobilization or "man down" situations – even at a remote location.

Widely used for all Lone-Worker scenarios, such as in Pipeline Monitoring, Rail Track Monitoring, Utility Network Monitoring, Airport Tarmac Inspection, Construction sites, Industry premises or Bridge Monitoring, Magikk Wearable for Connected Workers acts as a first responder system. With a single press of a button, it sends out all information in the form of voice or data, allowing employers and organizations to act quickly and decisively.

- Provides end-to-end remote visualization of remote workers – outdoors and indoors
- Ensures comprehensive industrial and workers' safety from possible life-threatening situations
- Integrates with the enterprise EHS systems
- Detects possible violations and immobilizations via sensors
- Enables an immediate two-way emergency communication system

Designed and Developed at Black Box R&D Center



Benefits and Features

Real-time location tracking

Gain full visibility of workers at remote locations, inside the industrial premises, anywhere outdoors or indoors. Precise GPS location data can easily be viewed via a map-based visualization system in a web browser and mobile app.

Industrial and Workers' Safety

Built-in sensors detect any immobilization of staff or employees. Immediately recognize and communicate any emergency situation to the command and control center.

Command and Control

Situational awareness platform on App and cloud software quickly detects and locates problems faced by the remote workforce.

Emergency Alert System

Enables single-click emergency connect to the command and control and enterprise EHS system with bidirectional communication flow, and accessibility of situation and navigation.

Rugged and Waterproof

With IP67-rated, industrial design, Magikk can withstand extreme temperatures from -20°C to +60°C, water, and dust. In addition, the telecom SIM cannot be accessed from outside without breaking the seal, ensuring security of the SIM Card.

Geo Fencing

Easily create geofences to demarcate all entry-access-restricted zones and areas via the user-friendly web interface. At the command and control center, get immediate hazard control alarms using geofencing for any violations.



Magikk

Real-time tracking

